

/// BCL 21/22



These stationary high-speed scanners offer a space-saving solution for industrial environments and are equipped with a fail-safe parameter memory.



Benefits:

- Various optics models for optimum use of the installation space
- Depending on the code alignment, single-line or raster scanners offer optimized reading capacity
- Large depth of field and wide opening angle
- autoConfig automatically detects the code type that is to be read
- The BCL Config Tool simplifies all configuration tasks

PART NUMBER CODES – BCL 21/22 stationary bar code readers

B C L 2 1 S N 2 1 0

Type	BCL	Bar code reader
Host interface	21	RS 485
	22	RS 232
Reading characteristics	S	Single line scanner
	R1	Raster scanner
Resolution/range	N	High Density up to 95 mm
	B	Medium Density up to 220 mm
	M	Medium Density up to 260 mm
	F	Low Density up to 450 mm
Connector	2	LP (circuit board connector for MA 2/MA 4...)
	3	SUB-D 15-pin
Connection cable length	0	0.8m
	1	3.0m
Beam exit	0	Perpendicular
	2	At the front

Part no.	Part description	Reading method Light beam exit	Interface	Reading distance	Module size	Scanning rate	Special design Type of display
50030987	BCL 21 S N 202	Line scanner Front	RS 485	50 ... 95 mm	0.15 ... 0.5 mm	800 scans/s	LED
50032030	BCL 21 S N 212	Line scanner Front	RS 485	50 ... 95 mm	0.15 ... 0.5 mm	800 scans/s	LED
50031072	BCL 21 S N 302	Line scanner Front	RS 485	50 ... 95 mm	0.15 ... 0.5 mm	800 scans/s	LED
50032034	BCL 21 S N 312	Line scanner Front	RS 485	50 ... 95 mm	0.15 ... 0.5 mm	800 scans/s	LED
50117070	BCL 21 S B 202	Line scanner Front	RS 485	50 ... 220 mm	0.165 ... 0.5 mm	800 scans/s	LED
50114707	BCL 21 S B 302	Line scanner Front	RS 485	50 ... 220 mm	0.165 ... 0.5 mm	800 scans/s	LED
50030989	BCL 21 S M 202	Line scanner Front	RS 485	50 ... 260 mm	0.2 ... 0.8 mm	1,000 scans/s	LED
50031720	BCL 21 S M 212	Line scanner Front	RS 485	50 ... 260 mm	0.2 ... 0.8 mm	1,000 scans/s	LED
50031078	BCL 21 S M 302	Line scanner Front	RS 485	50 ... 260 mm	0.2 ... 0.8 mm	1,000 scans/s	LED
50032049	BCL 21 S M 312	Line scanner Front	RS 485	50 ... 260 mm	0.2 ... 0.8 mm	1,000 scans/s	LED
50031082	BCL 21 S F 202	Line scanner Front	RS 485	80 ... 450 mm	0.5 ... 1 mm	800 scans/s	LED

Switching sensors

Measuring sensors

Products for safety at work

Identification

Data transmission / Control components

Industrial image processing

Accessories

Part no.	Part description	Reading method Light beam exit	Interface	Reading distance	Module size	Scanning rate	Special design Type of display
50032061	BCL 21 S F 212	Line scanner Front	RS 485	80 ... 450 mm	0.5 ... 1 mm	800 scans/s	LED
50031086	BCL 21 S F 302	Line scanner Front	RS 485	80 ... 450 mm	0.5 ... 1 mm	800 scans/s	LED
50032065	BCL 21 S F 312	Line scanner Front	RS 485	80 ... 450 mm	0.5 ... 1 mm	800 scans/s	LED
50030986	BCL 21 S N 200	Line scanner with deflecting mirror Lateral with deflecting mirror	RS 485	50 ... 95 mm	0.15 ... 0.5 mm	800 scans/s	LED
50032028	BCL 21 S N 210	Line scanner with deflecting mirror Lateral with deflecting mirror	RS 485	50 ... 95 mm	0.15 ... 0.5 mm	800 scans/s	LED
50031070	BCL 21 S N 300	Line scanner with deflecting mirror Lateral with deflecting mirror	RS 485	50 ... 95 mm	0.15 ... 0.5 mm	800 scans/s	LED
50032032	BCL 21 S N 310	Line scanner with deflecting mirror Lateral with deflecting mirror	RS 485	50 ... 95 mm	0.15 ... 0.5 mm	800 scans/s	LED
50117069	BCL 21 S B 200	Line scanner with deflecting mirror Lateral with deflecting mirror	RS 485	50 ... 220 mm	0.165 ... 0.5 mm	800 scans/s	LED
50114706	BCL 21 S B 300	Line scanner with deflecting mirror Lateral with deflecting mirror	RS 485	50 ... 220 mm	0.165 ... 0.5 mm	800 scans/s	LED
50030988	BCL 21 S M 200	Line scanner with deflecting mirror Lateral with deflecting mirror	RS 485	50 ... 260 mm	0.2 ... 0.8 mm	1,000 scans/s	LED
50032044	BCL 21 S M 210	Line scanner with deflecting mirror Lateral with deflecting mirror	RS 485	50 ... 260 mm	0.2 ... 0.8 mm	1,000 scans/s	LED
50031076	BCL 21 S M 300	Line scanner with deflecting mirror Lateral with deflecting mirror	RS 485	50 ... 260 mm	0.2 ... 0.8 mm	1,000 scans/s	LED
50032047	BCL 21 S M 310	Line scanner with deflecting mirror Lateral with deflecting mirror	RS 485	50 ... 260 mm	0.2 ... 0.8 mm	1,000 scans/s	LED
50031080	BCL 21 S F 200	Line scanner with deflecting mirror Lateral with deflecting mirror	RS 485	80 ... 450 mm	0.5 ... 1 mm	800 scans/s	LED
50032059	BCL 21 S F 210	Line scanner with deflecting mirror Lateral with deflecting mirror	RS 485	80 ... 450 mm	0.5 ... 1 mm	800 scans/s	LED
50031084	BCL 21 S F 300	Line scanner with deflecting mirror Lateral with deflecting mirror	RS 485	80 ... 450 mm	0.5 ... 1 mm	800 scans/s	LED
50032063	BCL 21 S F 310	Line scanner with deflecting mirror Lateral with deflecting mirror	RS 485	80 ... 450 mm	0.5 ... 1 mm	800 scans/s	LED
50061283	BCL 21 R1 N 202	Raster scanner Front	RS 485	50 ... 95 mm	0.15 ... 0.5 mm	800 scans/s	LED
50032038	BCL 21 R1 N 212	Raster scanner Front	RS 485	50 ... 95 mm	0.15 ... 0.5 mm	800 scans/s	LED
50061287	BCL 21 R1 N 302	Raster scanner Front	RS 485	50 ... 95 mm	0.15 ... 0.5 mm	800 scans/s	LED
50032042	BCL 21 R1 N 312	Raster scanner Front	RS 485	50 ... 95 mm	0.15 ... 0.5 mm	800 scans/s	LED
50061291	BCL 21 R1 M 202	Raster scanner Front	RS 485	50 ... 260 mm	0.2 ... 0.8 mm	1,000 scans/s	LED
50032053	BCL 21 R1 M 212	Raster scanner Front	RS 485	50 ... 260 mm	0.2 ... 0.8 mm	1,000 scans/s	LED
50061295	BCL 21 R1 M 302	Raster scanner Front	RS 485	50 ... 260 mm	0.2 ... 0.8 mm	1,000 scans/s	LED
50032057	BCL 21 R1 M 312	Raster scanner Front	RS 485	50 ... 260 mm	0.2 ... 0.8 mm	1,000 scans/s	LED
50061299	BCL 21 R1 F 202	Raster scanner Front	RS 485	80 ... 450 mm	0.5 ... 1 mm	800 scans/s	LED
50032069	BCL 21 R1 F 212	Raster scanner Front	RS 485	80 ... 450 mm	0.5 ... 1 mm	800 scans/s	LED
50061303	BCL 21 R1 F 302	Raster scanner Front	RS 485	80 ... 450 mm	0.5 ... 1 mm	800 scans/s	LED
50032073	BCL 21 R1 F 312	Raster scanner Front	RS 485	80 ... 450 mm	0.5 ... 1 mm	800 scans/s	LED
50061281	BCL 21 R1 N 200	Raster scanner with deflecting mirror Lateral with deflecting mirror	RS 485	50 ... 95 mm	0.15 ... 0.5 mm	800 scans/s	LED
50032036	BCL 21 R1 N 210	Raster scanner with deflecting mirror Lateral with deflecting mirror	RS 485	50 ... 95 mm	0.15 ... 0.5 mm	800 scans/s	LED
50061285	BCL 21 R1 N 300	Raster scanner with deflecting mirror Lateral with deflecting mirror	RS 485	50 ... 95 mm	0.15 ... 0.5 mm	800 scans/s	LED
50032040	BCL 21 R1 N 310	Raster scanner with deflecting mirror Lateral with deflecting mirror	RS 485	50 ... 95 mm	0.15 ... 0.5 mm	800 scans/s	LED
50061289	BCL 21 R1 M 200	Raster scanner with deflecting mirror Lateral with deflecting mirror	RS 485	50 ... 260 mm	0.2 ... 0.8 mm	1,000 scans/s	LED
50032051	BCL 21 R1 M 210	Raster scanner with deflecting mirror Lateral with deflecting mirror	RS 485	50 ... 260 mm	0.2 ... 0.8 mm	1,000 scans/s	LED
50061293	BCL 21 R1 M 300	Raster scanner with deflecting mirror Lateral with deflecting mirror	RS 485	50 ... 260 mm	0.2 ... 0.8 mm	1,000 scans/s	LED
50032055	BCL 21 R1 M 310	Raster scanner with deflecting mirror Lateral with deflecting mirror	RS 485	50 ... 260 mm	0.2 ... 0.8 mm	1,000 scans/s	LED
50061297	BCL 21 R1 F 200	Raster scanner with deflecting mirror Lateral with deflecting mirror	RS 485	80 ... 450 mm	0.5 ... 1 mm	800 scans/s	LED
50032067	BCL 21 R1 F 210	Raster scanner with deflecting mirror Lateral with deflecting mirror	RS 485	80 ... 450 mm	0.5 ... 1 mm	800 scans/s	LED
50061301	BCL 21 R1 F 300	Raster scanner with deflecting mirror Lateral with deflecting mirror	RS 485	80 ... 450 mm	0.5 ... 1 mm	800 scans/s	LED
50032071	BCL 21 R1 F 310	Raster scanner with deflecting mirror Lateral with deflecting mirror	RS 485	80 ... 450 mm	0.5 ... 1 mm	800 scans/s	LED
50031090	BCL 22 S N 202	Line scanner Front	RS 232	50 ... 95 mm	0.15 ... 0.5 mm	800 scans/s	LED
50061451	BCL 22 S N 212	Line scanner Front	RS 232	50 ... 95 mm	0.15 ... 0.5 mm	800 scans/s	LED

Part no.	Part description	Reading method Light beam exit	Interface	Reading distance	Module size	Scanning rate	Special design Type of display
50030991	BCL 22 S N 302	Line scanner Front	RS 232	50 ... 95 mm	0.15 ... 0.5 mm	800 scans/s	LED
50032080	BCL 22 S N 312	Line scanner Front	RS 232	50 ... 95 mm	0.15 ... 0.5 mm	800 scans/s	LED
50117072	BCL 22 S B 202	Line scanner Front	RS 232	50 ... 220 mm	0.165 ... 0.5 mm	800 scans/s	LED
50114715	BCL 22 S B 302	Line scanner Front	RS 232	50 ... 220 mm	0.165 ... 0.5 mm	800 scans/s	LED
50031096	BCL 22 S M 202	Line scanner Front	RS 232	50 ... 260 mm	0.2 ... 0.8 mm	1,000 scans/s	LED
50032093	BCL 22 S M 212	Line scanner Front	RS 232	50 ... 260 mm	0.2 ... 0.8 mm	1,000 scans/s	LED
50030993	BCL 22 S M 302	Line scanner Front	RS 232	50 ... 260 mm	0.2 ... 0.8 mm	1,000 scans/s	LED
50032097	BCL 22 S M 312	Line scanner Front	RS 232	50 ... 260 mm	0.2 ... 0.8 mm	1,000 scans/s	LED
50031102	BCL 22 S F 202	Line scanner Front	RS 232	80 ... 450 mm	0.5 ... 1 mm	800 scans/s	LED
50032108	BCL 22 S F 212	Line scanner Front	RS 232	80 ... 450 mm	0.5 ... 1 mm	800 scans/s	LED
50031106	BCL 22 S F 302	Line scanner Front	RS 232	80 ... 450 mm	0.5 ... 1 mm	800 scans/s	LED
50032112	BCL 22 S F 312	Line scanner Front	RS 232	80 ... 450 mm	0.5 ... 1 mm	800 scans/s	LED
50031088	BCL 22 S N 200	Line scanner with deflecting mirror Lateral with deflecting mirror	RS 232	50 ... 95 mm	0.15 ... 0.5 mm	800 scans/s	LED
50032075	BCL 22 S N 210	Line scanner with deflecting mirror Lateral with deflecting mirror	RS 232	50 ... 95 mm	0.15 ... 0.5 mm	800 scans/s	LED
50030990	BCL 22 S N 300	Line scanner with deflecting mirror Lateral with deflecting mirror	RS 232	50 ... 95 mm	0.15 ... 0.5 mm	800 scans/s	LED
50032078	BCL 22 S N 310	Line scanner with deflecting mirror Lateral with deflecting mirror	RS 232	50 ... 95 mm	0.15 ... 0.5 mm	800 scans/s	LED
50117071	BCL 22 S B 200	Line scanner with deflecting mirror Lateral with deflecting mirror	RS 232	50 ... 220 mm	0.165 ... 0.5 mm	800 scans/s	LED
50114714	BCL 22 S B 300	Line scanner with deflecting mirror Lateral with deflecting mirror	RS 232	50 ... 220 mm	0.165 ... 0.5 mm	800 scans/s	LED
50031094	BCL 22 S M 200	Line scanner with deflecting mirror Lateral with deflecting mirror	RS 232	50 ... 260 mm	0.2 ... 0.8 mm	1,000 scans/s	LED
50032091	BCL 22 S M 210	Line scanner with deflecting mirror Lateral with deflecting mirror	RS 232	50 ... 260 mm	0.2 ... 0.8 mm	1,000 scans/s	LED
50030992	BCL 22 S M 300	Line scanner with deflecting mirror Lateral with deflecting mirror	RS 232	50 ... 260 mm	0.2 ... 0.8 mm	1,000 scans/s	LED
50032095	BCL 22 S M 310	Line scanner with deflecting mirror Lateral with deflecting mirror	RS 232	50 ... 260 mm	0.2 ... 0.8 mm	1,000 scans/s	LED
50031100	BCL 22 S F 200	Line scanner with deflecting mirror Lateral with deflecting mirror	RS 232	80 ... 450 mm	0.5 ... 1 mm	800 scans/s	LED
50032106	BCL 22 S F 210	Line scanner with deflecting mirror Lateral with deflecting mirror	RS 232	80 ... 450 mm	0.5 ... 1 mm	800 scans/s	LED
50031104	BCL 22 S F 300	Line scanner with deflecting mirror Lateral with deflecting mirror	RS 232	80 ... 450 mm	0.5 ... 1 mm	800 scans/s	LED
50032110	BCL 22 S F 310	Line scanner with deflecting mirror Lateral with deflecting mirror	RS 232	80 ... 450 mm	0.5 ... 1 mm	800 scans/s	LED
50061307	BCL 22 R1 N 202	Raster scanner Front	RS 232	50 ... 95 mm	0.15 ... 0.5 mm	800 scans/s	LED
50032084	BCL 22 R1 N 212	Raster scanner Front	RS 232	50 ... 95 mm	0.15 ... 0.5 mm	800 scans/s	LED
50061311	BCL 22 R1 N 302	Raster scanner Front	RS 232	50 ... 95 mm	0.15 ... 0.5 mm	800 scans/s	LED
50032089	BCL 22 R1 N 312	Raster scanner Front	RS 232	50 ... 95 mm	0.15 ... 0.5 mm	800 scans/s	LED
50061315	BCL 22 R1 M 202	Raster scanner Front	RS 232	50 ... 260 mm	0.2 ... 0.8 mm	1,000 scans/s	LED
50032101	BCL 22 R1 M 212	Raster scanner Front	RS 232	50 ... 260 mm	0.2 ... 0.8 mm	1,000 scans/s	LED
50061319	BCL 22 R1 M 302	Raster scanner Front	RS 232	50 ... 260 mm	0.2 ... 0.8 mm	1,000 scans/s	LED
50032104	BCL 22 R1 M 312	Raster scanner Front	RS 232	50 ... 260 mm	0.2 ... 0.8 mm	1,000 scans/s	LED
50061323	BCL 22 R1 F 202	Raster scanner Front	RS 232	80 ... 450 mm	0.5 ... 1 mm	800 scans/s	LED
50032116	BCL 22 R1 F 212	Raster scanner Front	RS 232	80 ... 450 mm	0.5 ... 1 mm	800 scans/s	LED
50061327	BCL 22 R1 F 302	Raster scanner Front	RS 232	80 ... 450 mm	0.5 ... 1 mm	800 scans/s	LED
50032120	BCL 22 R1 F 312	Raster scanner Front	RS 232	80 ... 450 mm	0.5 ... 1 mm	800 scans/s	LED
50061305	BCL 22 R1 N 200	Raster scanner with deflecting mirror Lateral with deflecting mirror	RS 232	50 ... 95 mm	0.15 ... 0.5 mm	800 scans/s	LED
50032082	BCL 22 R1 N 210	Raster scanner with deflecting mirror Lateral with deflecting mirror	RS 232	50 ... 95 mm	0.15 ... 0.5 mm	800 scans/s	LED
50061309	BCL 22 R1 N 300	Raster scanner with deflecting mirror Lateral with deflecting mirror	RS 232	50 ... 95 mm	0.15 ... 0.5 mm	800 scans/s	LED
50032087	BCL 22 R1 N 310	Raster scanner with deflecting mirror Lateral with deflecting mirror	RS 232	50 ... 95 mm	0.15 ... 0.5 mm	800 scans/s	LED
50061313	BCL 22 R1 M 200	Raster scanner with deflecting mirror Lateral with deflecting mirror	RS 232	50 ... 260 mm	0.2 ... 0.8 mm	1,000 scans/s	LED

Switching sensors

Measuring sensors

Products for safety at work

Identification

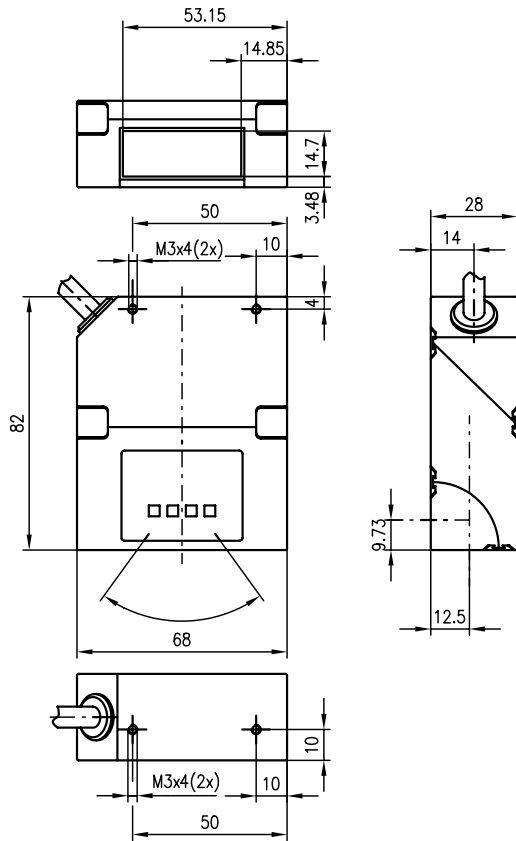
Data transmission / Control components

Industrial image processing

Accessories

Part no.	Part description	Reading method Light beam exit	Interface	Reading distance	Module size	Scanning rate	Special design Type of display
50032099	BCL 22 R1 M 210	Raster scanner with deflecting mirror Lateral with deflecting mirror	RS 232	50 ... 260 mm	0.2 ... 0.8 mm	1,000 scans/s	LED
50061317	BCL 22 R1 M 300	Raster scanner with deflecting mirror Lateral with deflecting mirror	RS 232	50 ... 260 mm	0.2 ... 0.8 mm	1,000 scans/s	LED
50031704	BCL 22 R1 M 310	Raster scanner with deflecting mirror Lateral with deflecting mirror	RS 232	50 ... 260 mm	0.2 ... 0.8 mm	1,000 scans/s	LED
50061321	BCL 22 R1 F 200	Raster scanner with deflecting mirror Lateral with deflecting mirror	RS 232	80 ... 450 mm	0.5 ... 1 mm	800 scans/s	LED
50032114	BCL 22 R1 F 210	Raster scanner with deflecting mirror Lateral with deflecting mirror	RS 232	80 ... 450 mm	0.5 ... 1 mm	800 scans/s	LED
50061325	BCL 22 R1 F 300	Raster scanner with deflecting mirror Lateral with deflecting mirror	RS 232	80 ... 450 mm	0.5 ... 1 mm	800 scans/s	LED
50032118	BCL 22 R1 F 310	Raster scanner with deflecting mirror Lateral with deflecting mirror	RS 232	80 ... 450 mm	0.5 ... 1 mm	800 scans/s	LED

Dimensioned drawings: BCL 21/22



BCL 21 / BCL 22 bar code readers

ACCESSORIES: BCL 21/22

Mounting systems

Rod mounts

Part no.	Part description	Design	Fastening at device	Fastening at system	Material
50111391	BT 20-D10	Mounting system	Screw type	For 10 mm rod, sheet-metal mounting	Metal
50060503	BT 20-D12	Mounting system	Screw type	For 12 mm rod, sheet-metal mounting	Metal

Further rod mounts can be found on our website